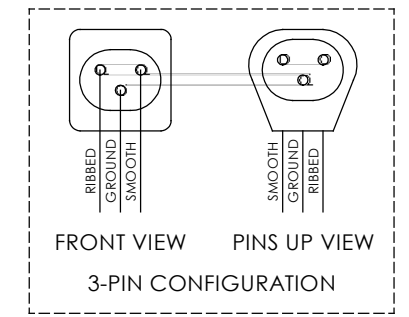
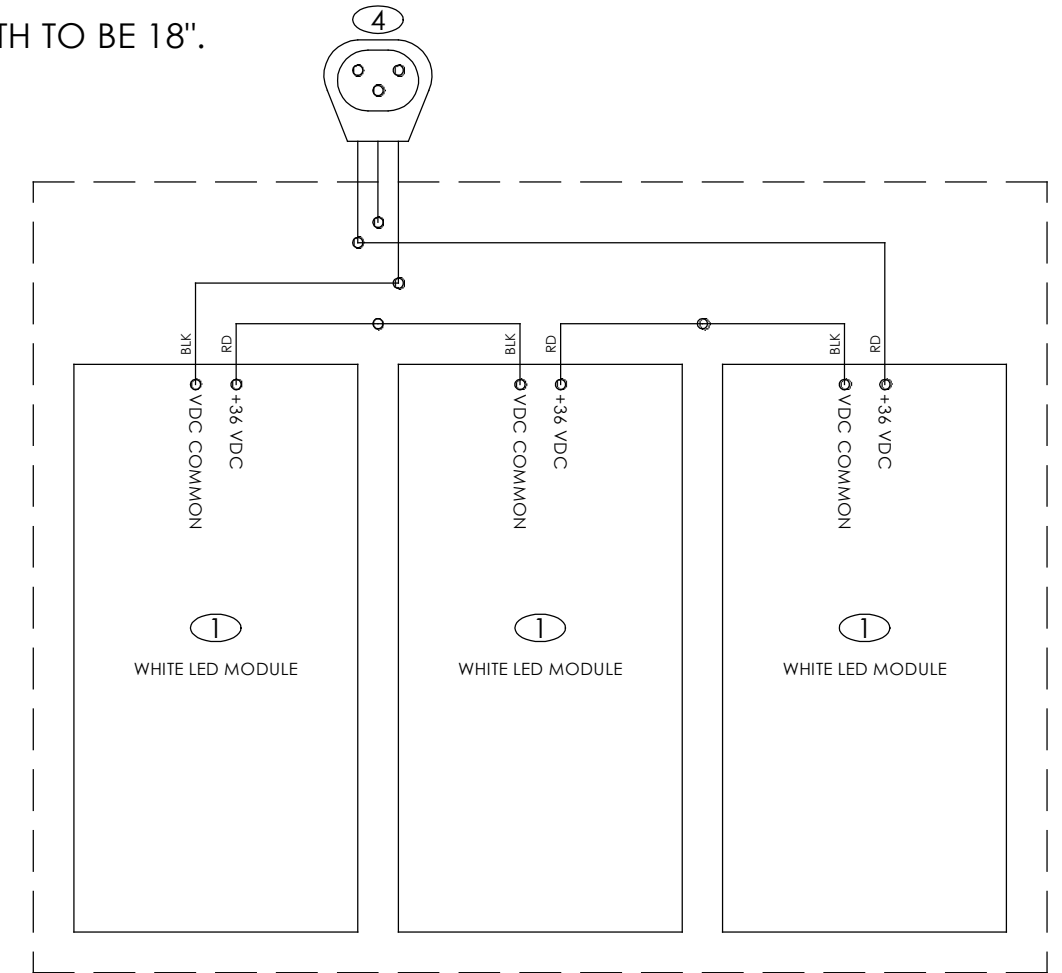
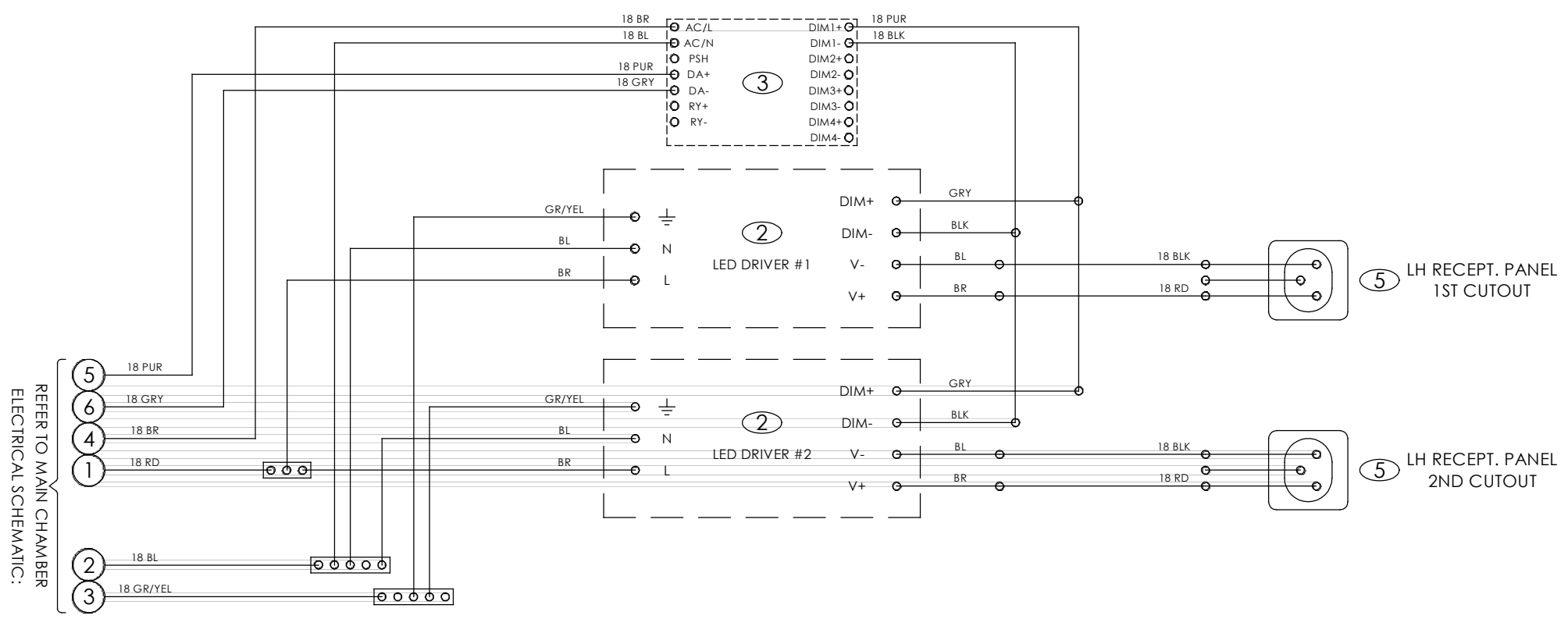


AMP DRAWS:	AT 108 VDC	AT 120 VAC	AT 230 VAC
AMP DRAW PER LAMPBANK:	0.7A	0.63 A	0.33 A

NOTES  
1. CORD LENGTH TO BE 18".



REFER TO MAIN CHAMBER ELECTRICAL SCHEMATIC:

- 1 - LED MODULE - DIMMABLE, WHITE, 36 VDC (ELD-066A)
- 2 - LED DRIVER - HLG-120H-C700B, CONSTANT CURRENT (ELD-068)
- 3 - CONVERTER - 90-305VAC, DALI TO PWM (ELD-048)
- 4 - PLUG - CORDSET, WHITE, 3-WIRE, AWG 18, 300V, 54" LENGTH (EPL-006)
- 5 - RECEPTACLE - 3-PIN, AWG 18, 12" WIRE LENGTH (ERE-014)

TITLE: ELECTRICAL SCHEMATIC - LIGHTING			
MODEL: ARC-41L2-AR	DRAWING:	<b>32123-4-0-2</b>	
BY: RAS	DATE: 02/22/23		