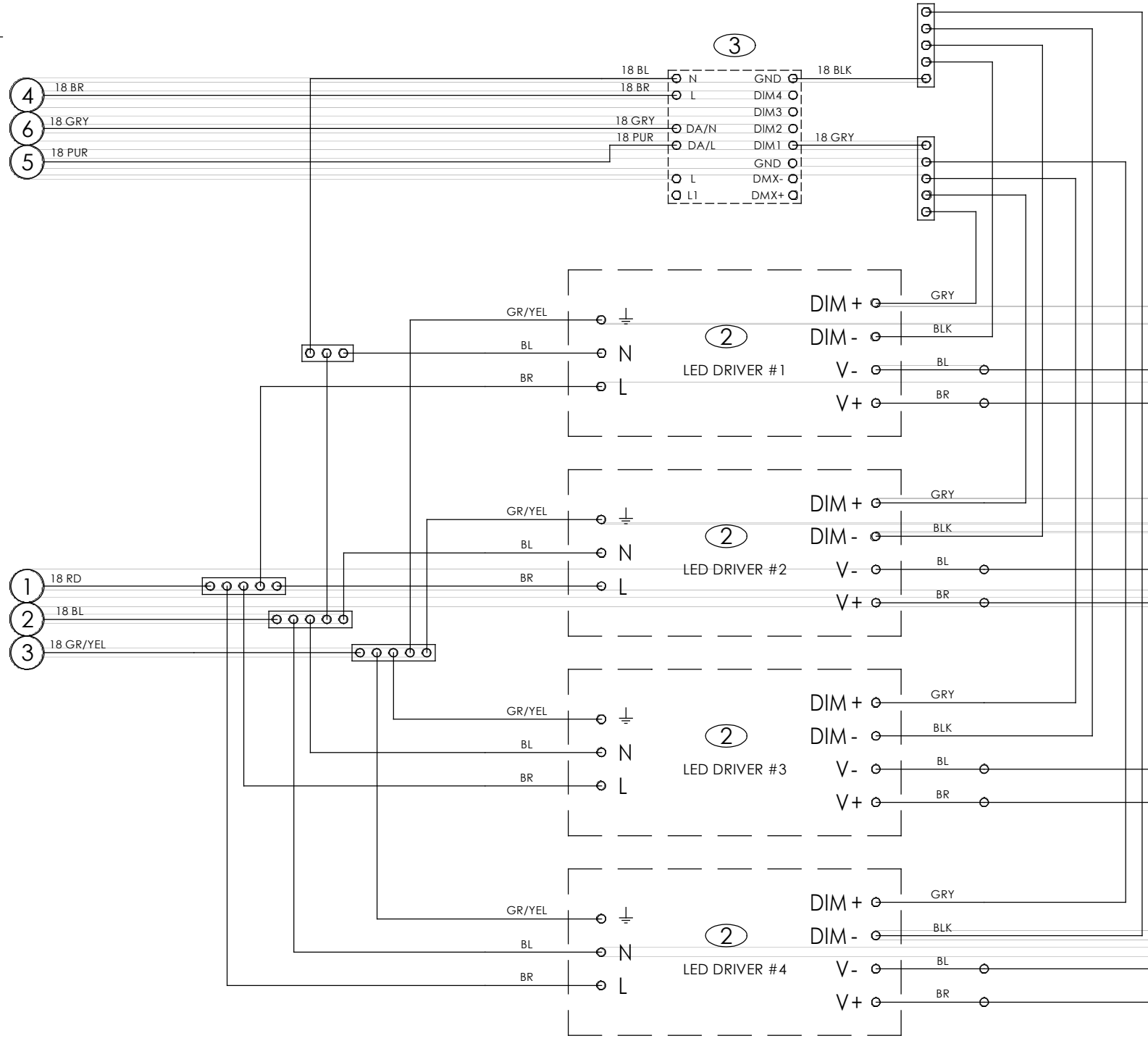
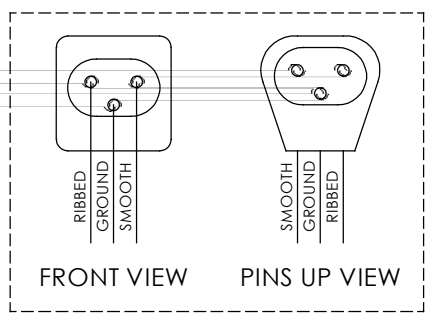
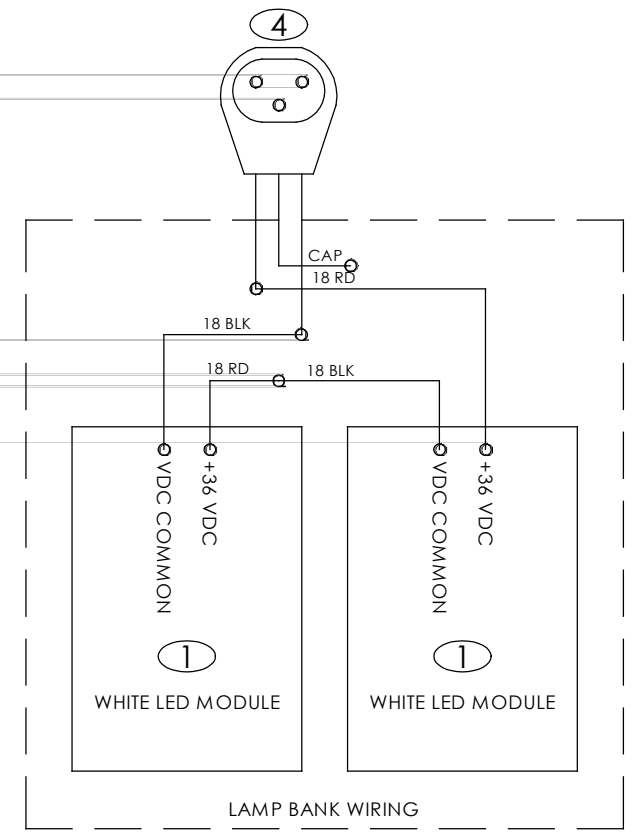


CONTINUE TO MAIN CHAMBER ELECTRICAL SCHEMATIC:



AMP DRAWS:	AT 72 VDC	AT 115 VAC	AT 230 VAC
PER (50W) LAMPBANK:	0.7 A	0.44A	0.22 A

- NOTES
1. CORD LENGTH TO BE 18".
  2. MOUNT RECEPTACLES W/ GROUND FACING CENTER OF CHAMBER.
  3. RECEPTACLES NUMBERED FROM TOP DOWN.
  4. RECEPTACLES ON FRONT FACE LH RACEWAY



- BOM:
- 1 - ELD-066 - LED MODULE - DIMMABLE, WHITE, 36 VDC , CONST. CURR, 1'X2'
  - 2 - ELD-067 - LED DRIVER - CONST CUR, 50-100V OUPUT, 700mA
  - 3 - ELD-049 - DALI CONVERTER - 100-240VAC, INPUT, 10V PWM OUTPUT
  - 4 - EPL-006 - PLUG - CORDSET, WHITE, 3-WIRE, AWG 18, 300V
  - 5 - ERE-014 - RECEPTACLE - CORDSET, WHITE, 3-PIN, AWG 18

TITLE: LIGHTING ELECT. SCHEMATIC		
MODEL: CU-36L4	DRAWING: 032994-0-2	
BY: RAS	DATE: 8/15/23	