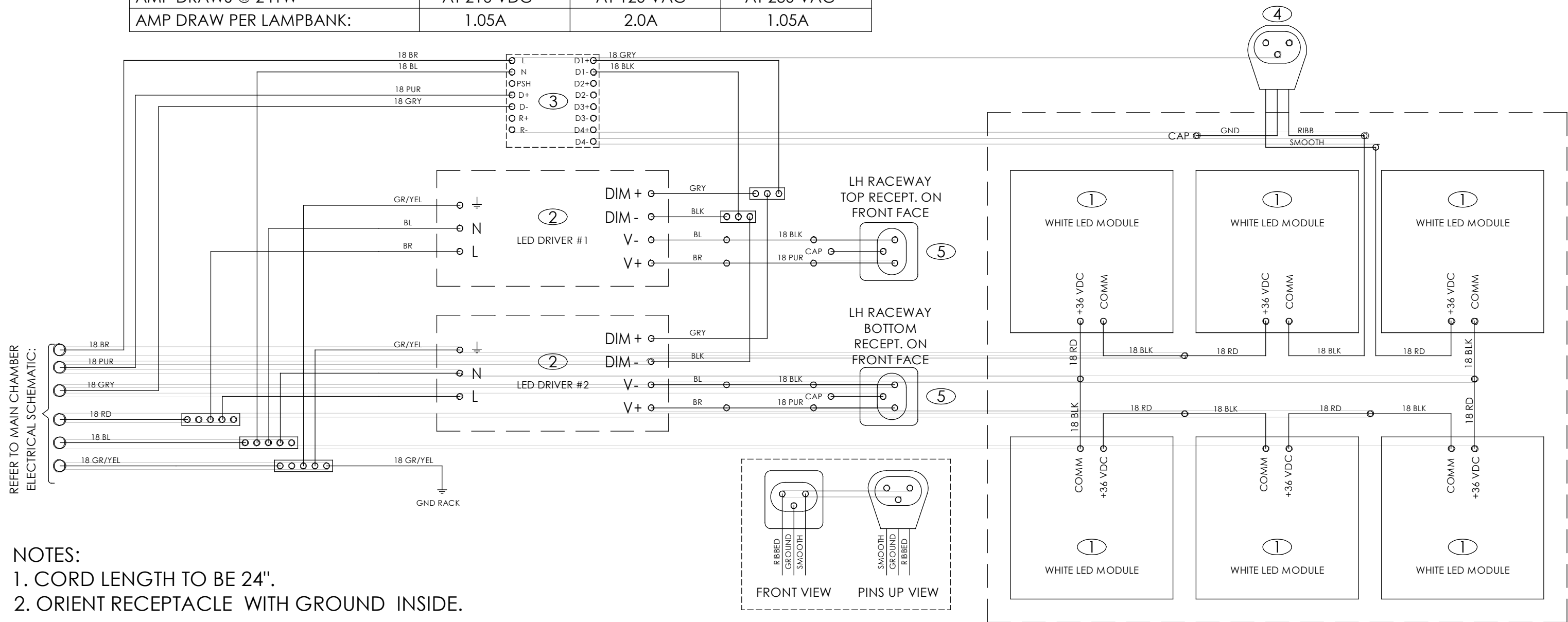


AMP DRAWS @ 241W	AT 216 VDC	AT 120 VAC	AT 230 VAC
AMP DRAW PER LAMPBANK:	1.05A	2.0A	1.05A



- NOTES:
1. CORD LENGTH TO BE 24".
 2. ORIENT RECEPTACLE WITH GROUND INSIDE.

- 1 - LED MODULE - DIMMABLE, WHITE, 36 VDC , CONST. CURR, 1'X1', 4K(ELD-065)
 2 - LED DRIVER - CONST. CUR, 90-305VAC IN, 152-305V OUTPUT, 1050mA, 320W(ELD-070)
 3 - SIGNAL CONVERTER - 90-305VAC, INPUT, 10V PWM OUTPUT(ELD-048)
 4 - PLUG - CORDSET, WHITE, 3-WIRE, AWG 18, 300V,(EPL-006)
 5 - RECEPTACLE - 3-PIN, CORDSET, AWG 18,(ERE-014)

TITLE: LIGHTING ELECT. SCHEMATIC		
MODEL: E-41L2	DRAWING: 029140-1-0-2	
BY: LNB	DATE: 10/7/2020	