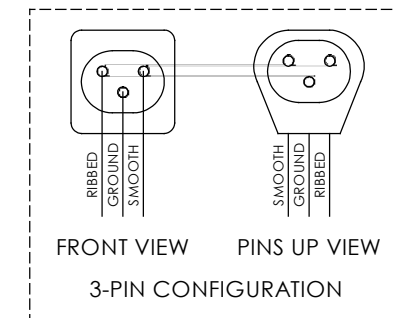
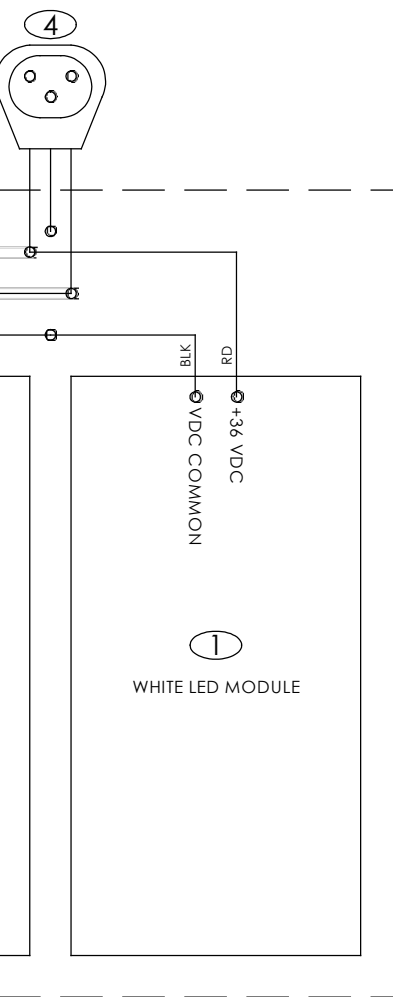
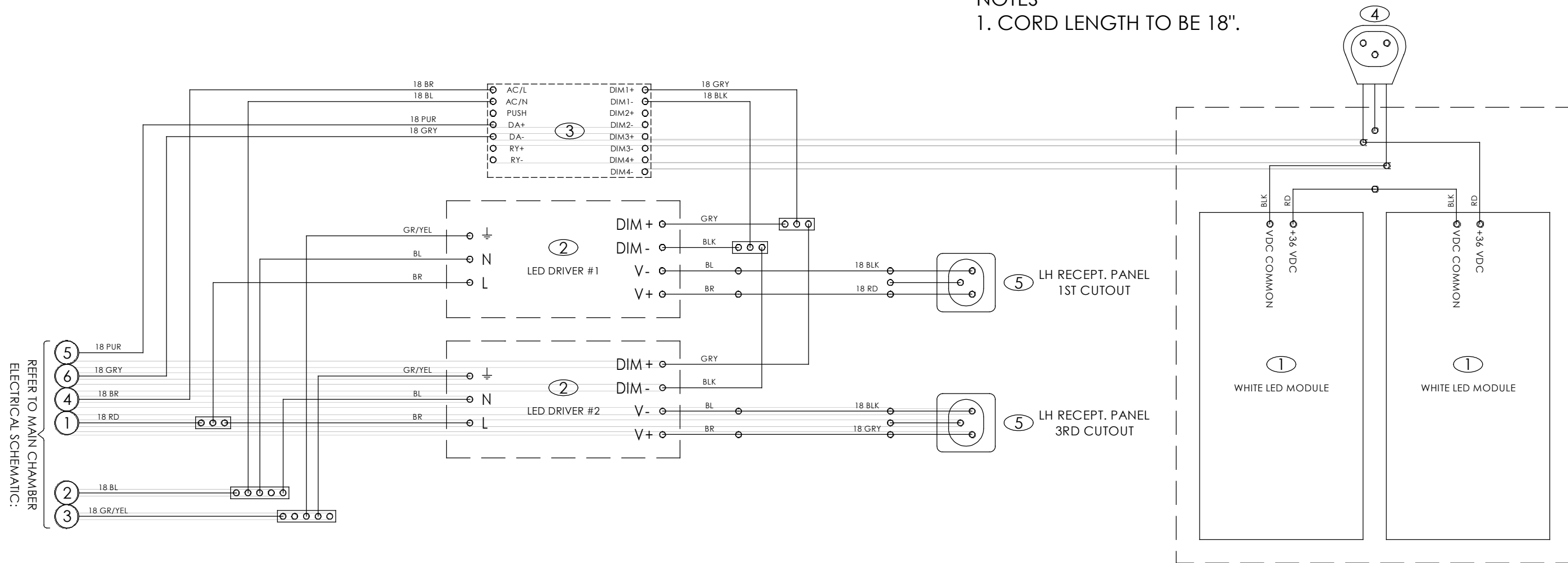


AMP DRAWS:	AT 108 VDC	AT 120 VAC	AT 230 VAC
AMP DRAW PER LAMPBANK:	1.52 A	0.91 A	0.47 A

NOTES  
1. CORD LENGTH TO BE 18".



- 1 - LED MODULE - DIMMABLE, WHITE & PHOTO RED, 36 VDC (ELD-156)
- 2 - LED DRIVER - HLG-185H-C1400B, CONSTANT CURRENT (ELD-071)
- 3 - CONVERTER - 90-305VAC DALI/PUSH INPUT, 10V PWM OUTPUT (ELD-033)
- 4 - PLUG - CORDSET, WHITE, 3-WIRE, AWG 18, 300V, 54" LENGTH (EPL-006)
- 5 - RECEPTACLE - 3-PIN, AWG 18, 12" WIRE LENGTH (ERE-014)

**PERCIVAL SCIENTIFIC, INC.**

TITLE: ELECTRICAL SCHEMATIC - LIGHTING

MODEL: ARC-36L2-E      DRAWING: 034275-0-2      REV: -

BY: SE      DATE: 7/2/24