
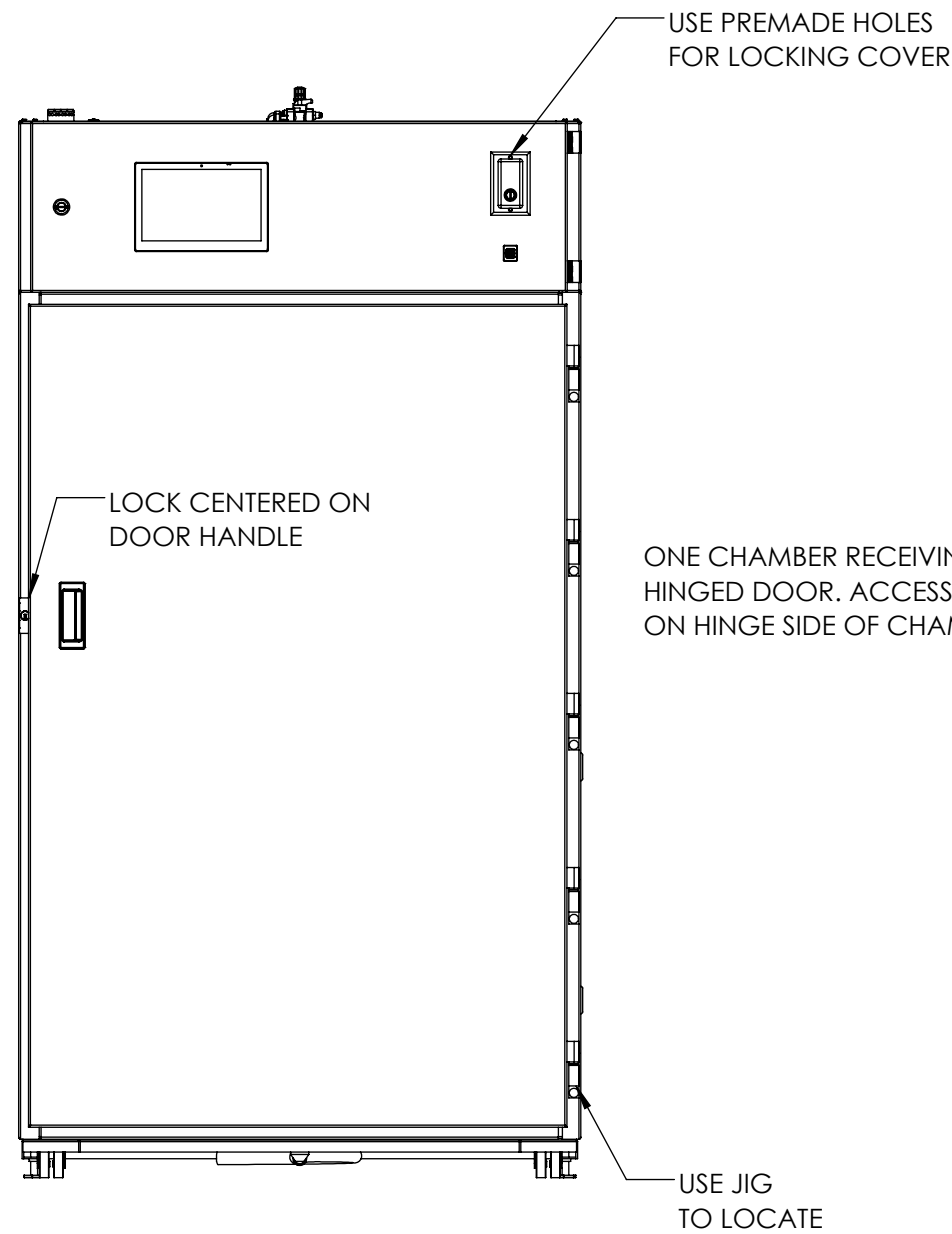
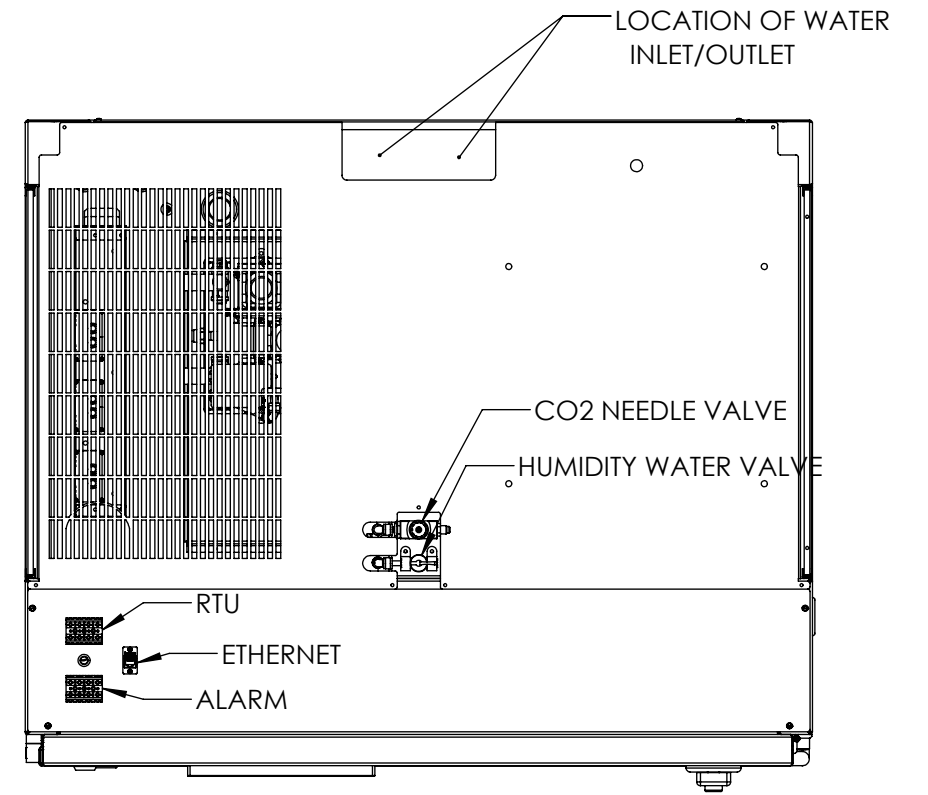
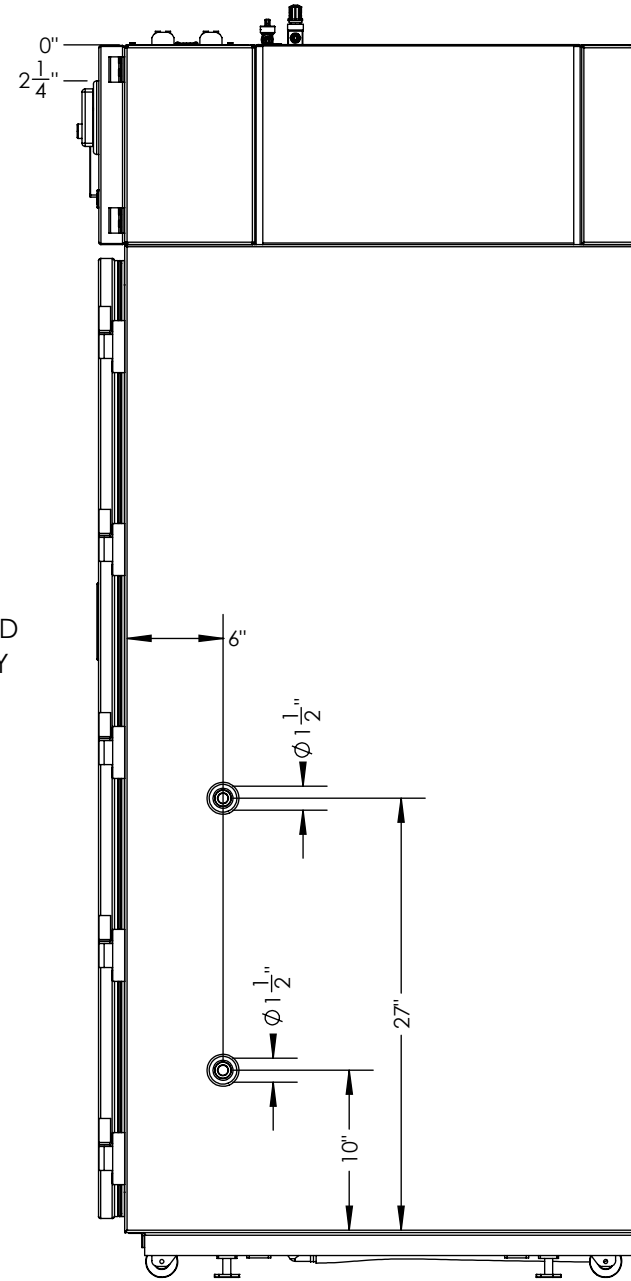


SM OPERATION NOTES	MISC. NOTES				UNLESS OTHERWISE SPECIFIED: ALL DIMENSIONS ARE IN INCHES DRAWING IS NOT TO SCALE	PROPRIETARY AND CONFIDENTIAL THE INFORMATION CONTAINED IN THIS DRAWING IS THE SOLE PROPERTY OF PERCIVAL SCIENTIFIC, INC.. ANY REPRODUCTION IN PART OR AS A WHOLE WITHOUT THE WRITTEN PERMISSION OF PERCIVAL SCIENTIFIC, INC. IS PROHIBITED.			
	1)	REV.	DESCRIPTION	DATE	APPROVED	TITLE: GENERAL ASSEMBLY			
						DRAWING: 036452-10	REV: -	PART BY:	
						MODEL: AR-41L3		DRAWING BY: RAS	
						DATE APPROVED: 05/27/2026		SHEET 1 OF 4	



ONE CHAMBER RECEIVING LEFT HAND HINGED DOOR. ACCESS PORTS ONLY ON HINGE SIDE OF CHAMBER



SECTION B-B

SM OPERATION NOTES	MISC. NOTES		UNLESS OTHERWISE SPECIFIED: ALL DIMENSIONS ARE IN INCHES DRAWING IS NOT TO SCALE	PROPRIETARY AND CONFIDENTIAL THE INFORMATION CONTAINED IN THIS DRAWING IS THE SOLE PROPERTY OF PERCIVAL SCIENTIFIC, INC.. ANY REPRODUCTION IN PART OR AS A WHOLE WITHOUT THE WRITTEN PERMISSION OF PERCIVAL SCIENTIFIC, INC. IS PROHIBITED.	
	1)		FRACTIONAL TOLERANCE $\pm 1/32$ " ANGULAR (BENDS) $\pm 0.5^\circ$ DECIMAL VALUES ± 0.015		<p>TITLE: GENERAL ASSEMBLY</p> <p>DRAWING: 036452-10 PART BY:</p> <p>MODEL: AR-41L3 DRAWING BY: RAS</p> <p>DATE APPROVED: 05/27/2026 SHEET 4 OF 4</p>